

Rotary plates

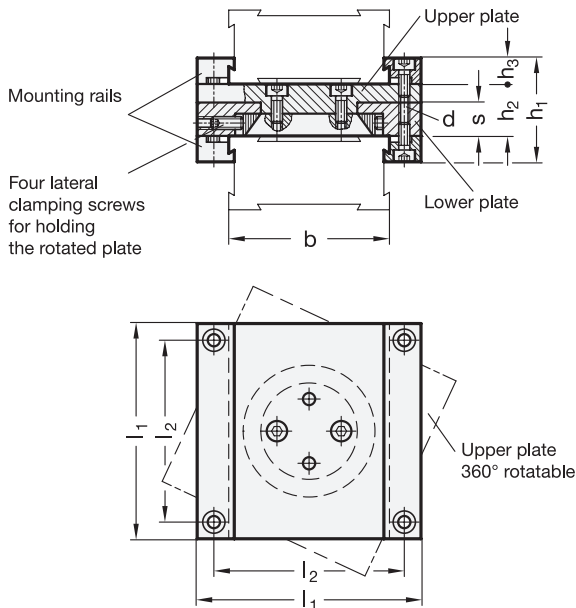
for adjustable slide units GN 900

SPECIFICATION

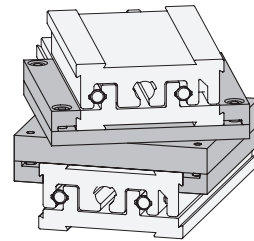
Aluminium
anodized, natural colour
Socket head screws DIN 912
Stainless Steel

INFORMATION

Rotary plates GN 900.5 allow rotation of one of the adjustable slide units at an off-set angle to the other. This possibility offers an additional axis configuration.
The alternative adaptor consists of two plates connected together in the center so they may be rotated. The lower plate is clamped to the lower sliding part, while the upper one is clamped to the stationary base of the upper sliding unit.
All parts required are included.



Mounting example



GN 900.5

Description	b Size of the slide	l ₁	d	h ₁	h ₂	h ₃	l ₂	s	⚖
GN 900.5-30-41	30	41	M 2.5	18.4	10	4.2	35.4	6	60
GN 900.5-50-67	50	67	M 3	28	14	7	58	9	209
GN 900.5-80-105	80	105	M 4	39	14	12.5	92	9	568
GN 900.5-120-145	120	145	M 5	47.6	20	13.8	131.8	12	1398